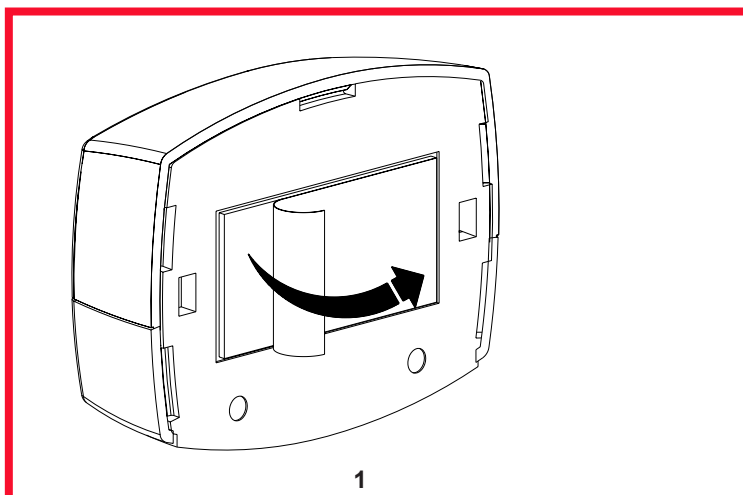
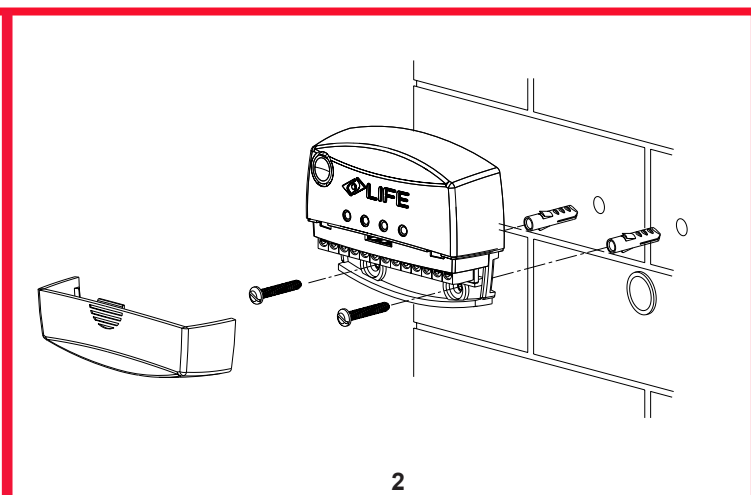


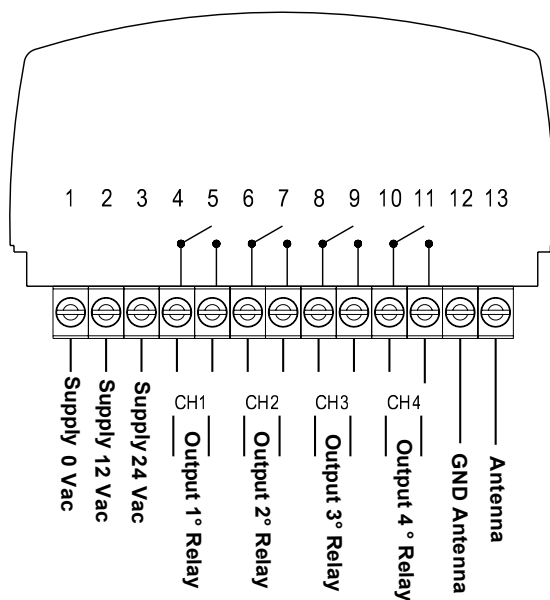
Radio receiver



1



2



Terminal	Led	Description	
1 - 2		Supply	12 V a.c.
1 - 3		Supply	24 V a.c.
4 - 5	L1	Channel 1	Output 1° Relay, contact N.O. (Normally Opened)
6 - 7	L2	Channel 2	Output 2° Relay, contact N.O. (Normally Opened)
8 - 9	L3	Channel 3	Output 3° Relay, contact N.O. (Normally Opened)
10 - 11	L4	Channel 4	Output 4° Relay, contact N.O. (Normally Opened)
12		GND Antenna	
13		Antenna	

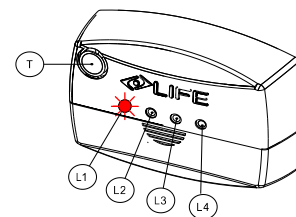
(T) = Button T

(L1) = Relais 1 (L2) = Relais 2 (L3) = Relais 3 (L4) = Relais 4

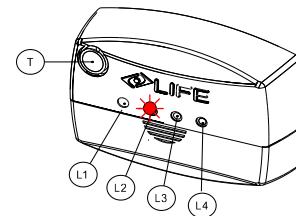
DECODER CONFIGURATION

The receiver has 4 channels with independant relays that can be programmed N.O. Each single relay can be configured in 4 different modes:

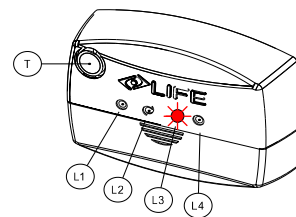
Impulsive (monostable): relay is active during all the session
Press button T until the related LED is on, and memorise transmitter within 15". LED will flash once when memory is effective.
To exit, press button T repeatedly until all LEDS are off, or wait 15".



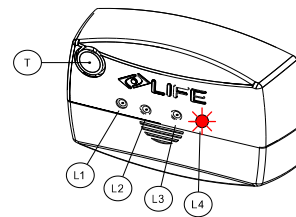
Step-by-step (bistable): relay is active when it receives the command, and desactivates at next command. Press button T until the related LED is on, and keep T button pressed, and memorise transmitter within 15".
LED will flash once when memory is effective To exit, press button T repeatedly until all LEDS are off, or wait 15".



Brief temporizing: The relay ia active when it receives the command, and remains active for approximately 30". If a further command is given, counting time re-starts. Press button T until the related LED is on, and keep T button pressed. With red LED on, press button T and keep pressed for 5" until LED slowly flashes. Memorise transmitter within 15".
All LEDS will flash when memory is effective. To exit, press button T repeatedly until all LEDS are off, or wait 15".



Long temporizing: The relay ia active when it receives the command, and remains active for approximately 3'. If a further command is given, counting time re-starts. Press button T until the related LED is on, and keep T button pressed With red LED on, press button T and keep pressed for 5" until LED slowly flashes. Memorise transmitter within 15". All LEDS will flash when memory is effective. To exit, press button T repeatedly until all LEDS are off, or wait 15".





SINGLE TRANSMITTER DELETE

Press T button thoroughly until LEDS flash quickly. Press transmitter that must be deleted within 15". All LEDS will turn off when delete is effective.

N.B.

On FAST R1E led L1 will flash. On FAST R2E led L1-L2 will flash.

On FAST R4E all leds (L1-L2-L3-L4) will flash.

TOTAL MEMORY DELETE

Press T button thoroughly until LEDS flash quickly.

Release and re-press T button, LED will flash slowly in a alternative way.

All LEDS will turn off when delete is effective.

N.B.

On FAST R1E led L1 will flash. On FAST R2E led L1-L2 will flash.

On FAST R4E all leds (L1-L2-L3-L4) will flash.

TECHNICAL DATA

Radio receiver	
Power 12 / 24 Vac	12 / 24 Vac
Power	Minimum absorption 20 mA / maximum 100 mA
Contact relays	normally opened - maximum 50V 0,5A
N° channels (relais)	4
Working temperature	-20 ÷ 70 °C
Protection degree	-30
Memory (n°codes)	750





GB

**MANUFACTURER'S DECLARATION OF
CE CONFORMITY**



under Directive 98/37/CE, appendix II, part B
(manufacturer's declaration of CE conformity)

LIFE home integration S.r.l.
Via Sandro Pertini 3/5
31014 COLLE UMBERTO (TV) – Italia

declares that the following product:

**RADIO RECEIVER
FASTRE**

**satisfies the essential requisites
established in the following directives:**

- Machinery 98/37/CE (ex 89/392/CEE) and successive modifications,
- Low voltage directive 73/23/EEC and subsequent amendments,
- Electromagnetic compatibility directive 89/336/EEC and subsequent amendments

and satisfies the following standards:

EN 12445:2000 - EN 12453:1998 -
EN 954-1:1998



Address: Via Sandro Pertini,3/5 31014 COLLE UMBERTO (TV) Italia

Telephone: + 39 0438 388592

Telefax: + 39 0438 388593

http: www.homelife.it

e-mail: info@homelife.it

