

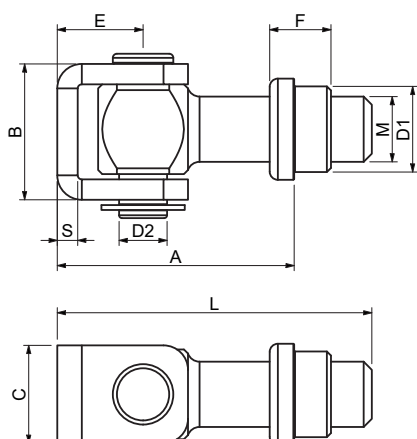
## Technical report

Art.

**H 16**



Art.	H 16
Product	ADJUSTABLE HINGE WITH NUT, WELDED, FOR STEEL COLUMN
Item code	1700371
Material	Body - S 355 J2C, „C“ claim - S 235 JR, Pin - 11SMn30, Welding nut - 11SMn30, Retaining ring - DIN 6799
Surface finish	ČSN EN ISO 19598 - Fe//Zn12//Cn//T2nL
Guarante	24 months

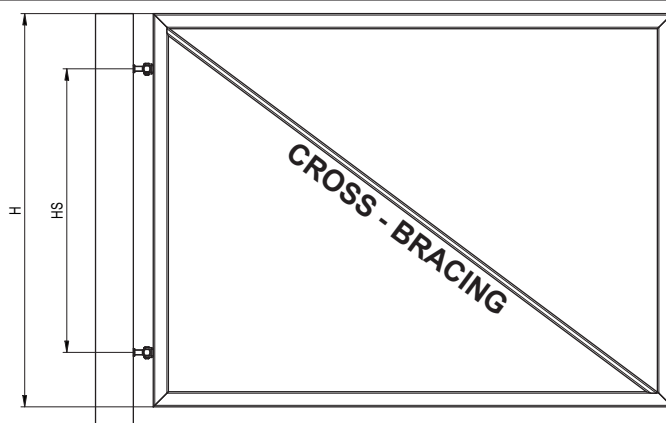


Art.	M	A min./max.	L	B	C	D1	D2	E	F	S	1pc		CODE	
											kg	pcs		
H 16	M16	41 - 67	77	33	24	21	12	21	15	5	0,24	20	4,8	1700371

\*All specifications, photographs and technical drawings are the property of CAIS s. r. o. and are protected by copyright. Product specifications can be changed without prior notice.

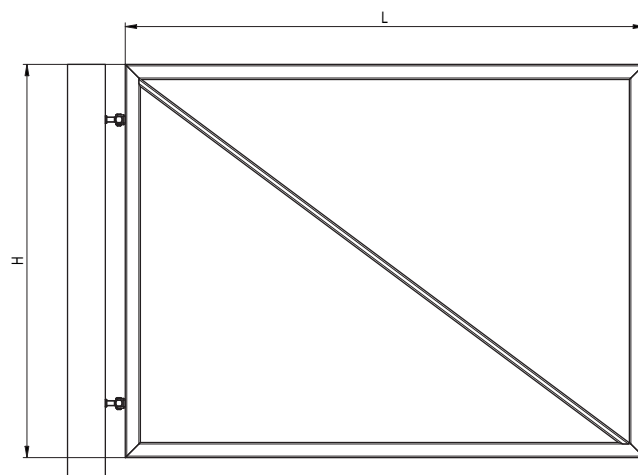
## 1) HINGE SPACING

$$HS = \min. 75\% H$$



## 2) ASPECT RATIO

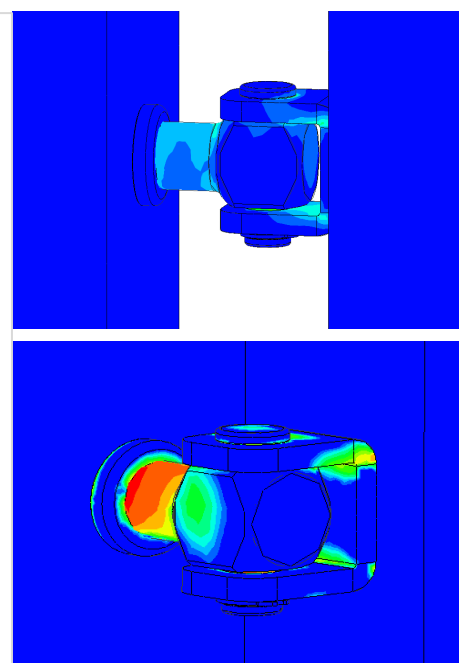
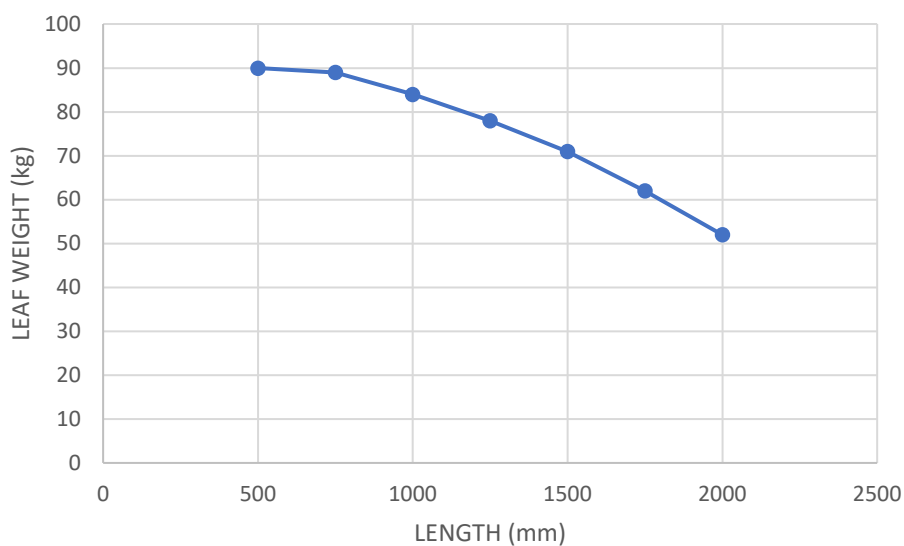
$$L/H \leq 2$$



## 3) ASPECT RATIO

$$L = \max. (H + 40\% H)$$

MAX LOAD / LEAF DIMENSIONS (HEIGHT 1500)



Art.	"MAX WIDTH"	"MAX HEIGHT"	"MAX"	"MAX CAPACITY"	CYCLES	MAINTENANCE
	mm		m2	1 pair/kg	nr	
H 16	2000	2000	3	90	200 000	Greasing "every 25 000 cycles / 1 times per year"

\*All specifications, photographs and technical drawings are the property of CAIS s. r. o. and are protected by copyright. Product specifications can be changed without prior notice.