

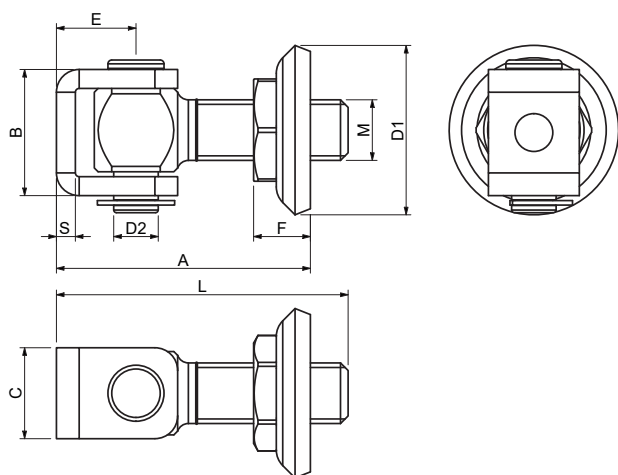
## Technical report

Art.

**HN 20**



Art.	HN 20
Product	ADJUSTABLE HINGE WITH NUT, WASHER, WELDED, FOR STEEL COLUMN
Item code	1700379
Material	Body - S 355 J2C, „C“ claim - S 235 JR, Welding ring - S235 JR, Pin - 11SMn30, Hexagon - 11SMn30, Rivet nut - 11SMn30, Retaining ring - DIN 67996799
Surface finish	ČSN EN ISO 19598 - Fe//Zn12//Cr//T2nL

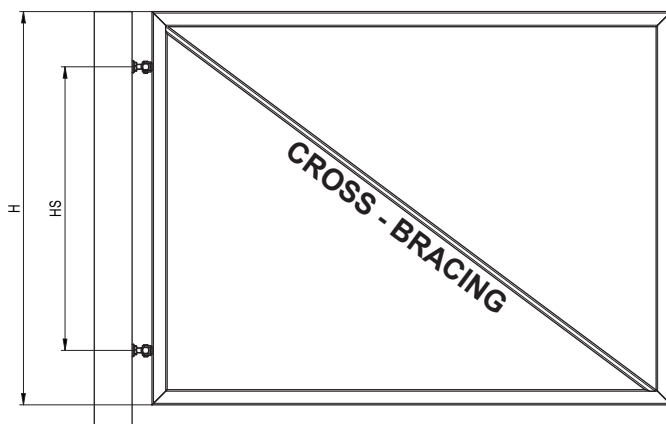


Art.	M	A min./max.	L	B	C	D1	D2	E	F	S	1pc		CODE	
											kg	pcs		
			mm			Ø		mm			kg	pcs	kg	
<b>HN 20</b>	M20	60 - 88	88	39	28	50	14	25	19	6	0,48	20	9,6	1700379

\*All specifications, photographs and technical drawings are the property of CAIS s. r. o. and are protected by copyright. Product specifications can be changed without prior notice.

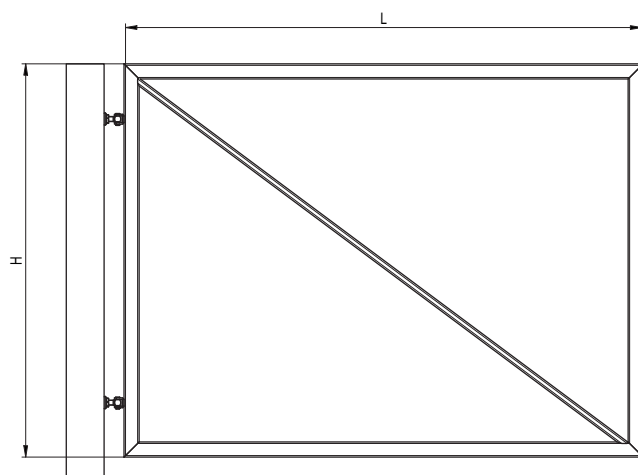
## 1) HINGE SPACING

$$HS = \text{min. } 75\% H$$



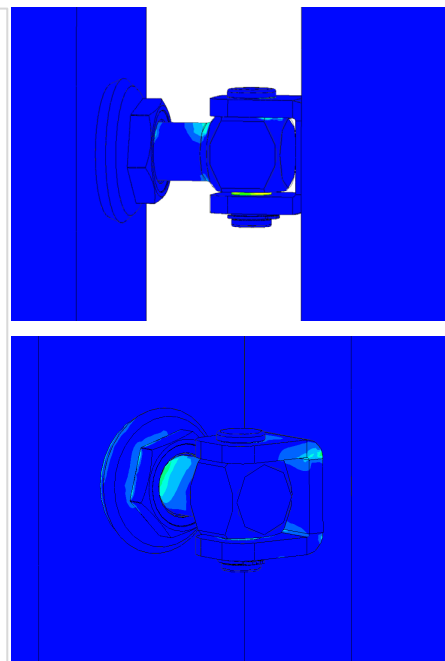
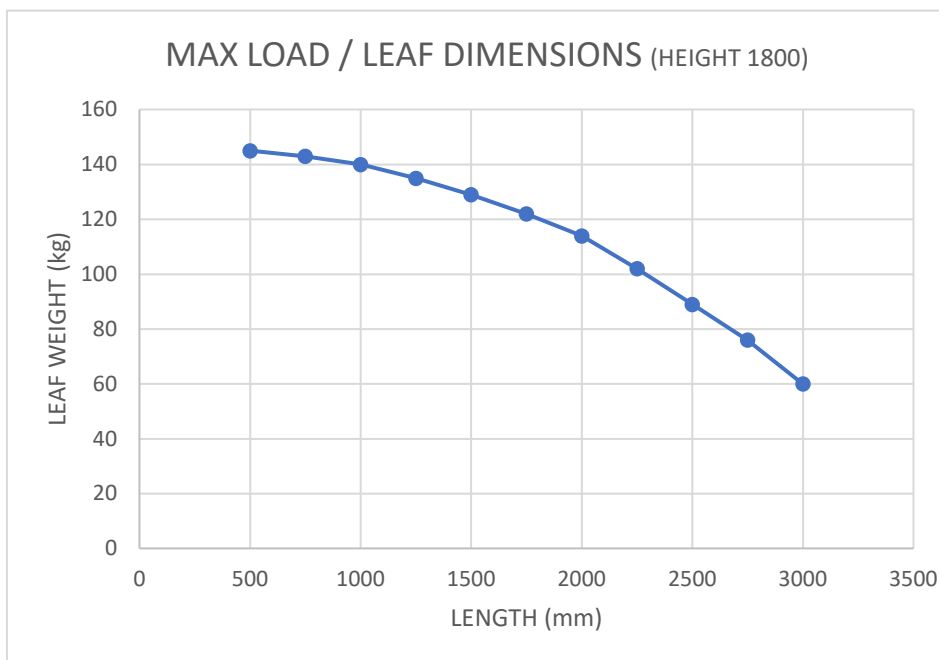
## 2) ASPECT RATIO

$$L/H \leq 2$$



## 3) ASPECT RATIO

$$L = \text{max. } (H + 40\% H)$$



Art.	"MAX WIDTH"	"MAX HEIGHT"	"MAX"	"MAX CAPACITY"	CYCLES	MAINTENANCE
	mm		m2	1 pair/kg	nr	
H20	3000	2500	5,5	145	200 000	Greasing „every 25 000 cycles / 1 times per year“

\*All specifications, photographs and technical drawings are the property of CAIS s. r. o. and are protected by copyright. Product specifications can be changed without prior notice.